



Installation of the Extension Handle, model A800

The A800 Extension Handle can be fitted on all Primatch pneumatic tools manufactured since 2000.

INSTALLATION INSTRUCTIONS

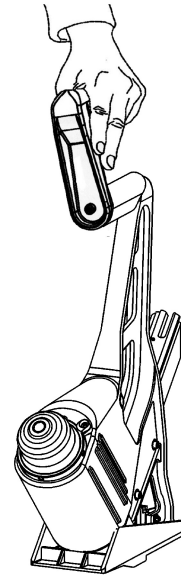
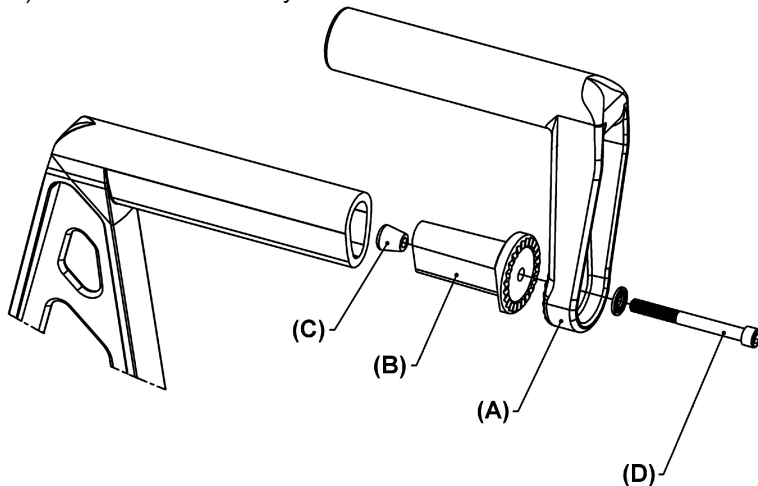
Important notice

Before installing the extension handle for the first time, ensure that the interior of the tool handle is free of deposits of paint, coating or aluminum burrs. It may be required to use a file to remove excess of aluminum.

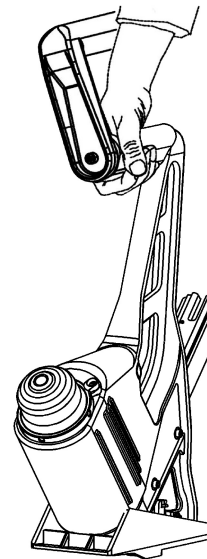
- 1) Assemble cone (C), expansion sleeve (B), extension handle (A), washer and screw (D) as shown. **Do not tighten**; the cone (C) should **not** be engaged tightly into the sleeve (B). Tap lightly onto the screw (D) to disengage the cone (C) out of the expansion sleeve if necessary.
- 2) Insert this assembly into the nailer hollow handle. It is important that the sleeve (B) be fully inserted.
- 3) Rotate the extension handle to the desired position and tighten screw (D) using a 3/16" Allen key. **DO NOT OVER TIGHTEN.**

INSTRUCTIONS FOR REMOVING EXTENSION HANDLE

- 1) Loosen screw (D) using a 3/16" Allen key for 5 or 6 turns only. Do not remove the screw.
- 2) Tap lightly onto the screw (D) to push the cone (C) out of the expansion sleeve.
- 3) Pul-out the assembly from the tool handle.



When locked at a slight angle at the upper position, the extension handle greatly improve ease and stability when the tool is slide sideways.



In both upper and lower position, the second handle provides wrist rest for a much better tool control.