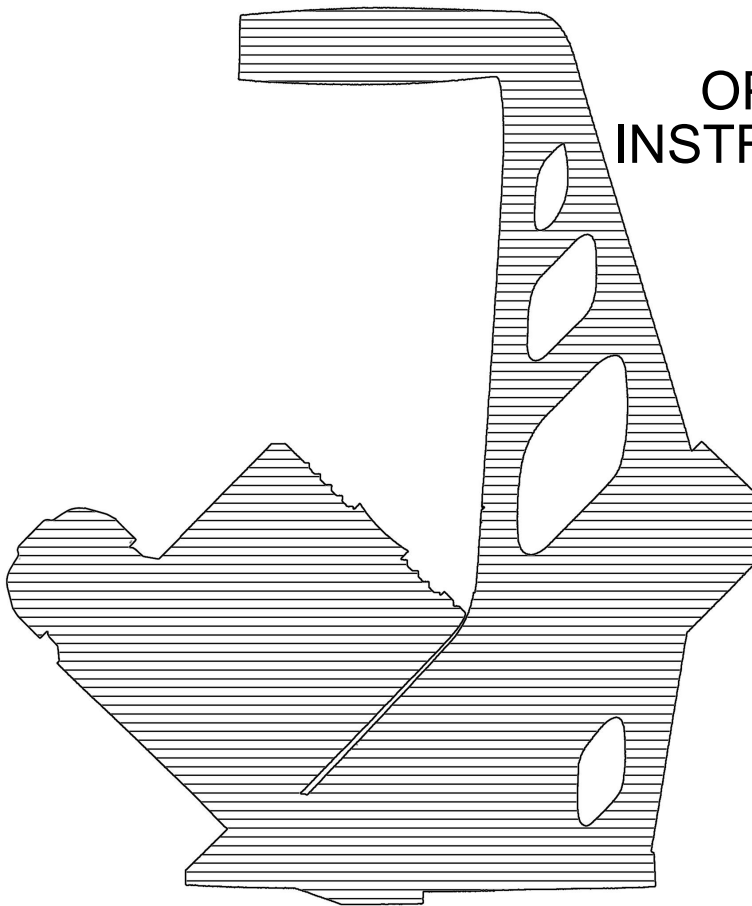




PNEUMATIC FLOORING NAILER
P240
PNEUMATIC FLOORING STAPLER
P260

OPERATING
INSTRUCTIONS



WARNING

Read these instructions thoroughly before using this tool and keep it handy for reference.

PRIMATECH PNEUMATIC NAILER P240 & STAPLER P260

The pneumatic flooring tools P240 & P260 are heavy duty precision tools specially developed for the installation of hardwood flooring. Weighing only 11 pounds (5 kg), these ergonomically designed tools makes the installation of hardwood floor very easy, allowing the operator to set and fasten the boards in the standing position.

The P240 nailer is available in two configurations:

- "L" type 16GA cleats available in lengths of 1½" (38 mm), 1¾" (44 mm) or 2" (50 mm).
- "T" type 16GA cleats available in lengths of 1½" (38 mm) or 2" (50 mm).

The P260 stapler takes standard ½" crown, 15½GA staples in lengths of 1½" (38 mm), 1¾" (44 mm) or 2" (50 mm).

For best result, only PRIMATECH fasteners should be used. For maximum performance, the manufacturer guidelines should be followed. Read carefully these instructions before operating this tool. It is important to understand warnings/cautions and the safety measures to ensure safe use of this tool.

Additional information is available directly from the manufacturer:



1135 Jeremy-Fortin, Québec, QC
Canada, G1J 1R8

Phone: 1 (800) 363-1962, 1 (418) 522-7744
Fax: 1 (418) 522-7466
email: support@primatech.ca
web: www.primatech.ca/support

SAFETY MEASURES

These important guidelines should always be followed to work safely with the PRIMATECH pneumatic tools model P240/P260:

1. Read these instructions thoroughly before using this tool and keep it handy for reference if necessary.
2. Always keep hands, feet or other body parts away from the fastener ejection area.
3. Never aim the tool in any direction other than the working area.
4. Always carry or manipulate the tool by its handle while the air supply hose is connected.

5. Never hit the head cap of the actuator if the plastic base is not sitting perfectly on the working surface.
6. Never leave the tool laying down on its side while the air supply hose is connected; the tool should always be left on the floor, standing on its plastic base.
7. Do not alter or remove safety.
8. Always disconnect the air supply hose when the tool is not in use or when move to another work area.
9. Never service or repair the tool, clear obstructions or make adjustments while the air supply hose is connected.
10. Only compressed air should be used to power this tool (110 psi, 7.6 bar maximum).
11. Never use oxygen or any other compressed gas as a power source for this tool. Explosion may occur.
12. Always wear OSHA-required Z-87 safety glasses with side shields.
13. Always wear proper ear and feet protection while the air supply hose is connected.
14. Always remove fasteners from the feeder channel before servicing the tool.



DO NOT REMOVE OR ALTER SAFETY. DO NOT USE A TOOL WITH A DEFECTIVE SAFETY. NEVER DEPRESS THE SAFETY CONTACT WITH YOUR HANDS WHEN TOOL IS CONNECTED TO AIR SUPPLY. EXTREME CAUTION IS ADVISED WHEN USING THIS TOOL.

CONNECTION & AIR SUPPLY SYSTEM

To ensure maximum performance and efficiency, and also a minimum of care, the PRIMATECH pneumatic tool requires clean, dry air. It is necessary to use a filter and a pressure regulator.

This tool needs a detachable male coupler with 3/8" NPT male threads. Use a 3/8" (1 cm) minimum diameter air supply hose. A smaller hose or a hose longer than 50' (15 m) could cause a pressure drop when the tool is activated repeatedly.



ALWAYS USE A FREE-FLOW CONNECTION FOR THE COMPRESSED AIR SUPPLY TO PREVENT THAT THE TOOL STAYS CHARGED AFTER DISCONNECTING THE AIR SUPPLY HOSE.



UNLOAD TOOL BEFORE CONNECTING AIR TO PREVENT ACCIDENTAL DISCHARGE.



AFTER MOVING TOOL TO A DIFFERENT WORK AREA, OR AFTER ANY MAINTENANCE TO THE TOOL, ALWAYS ENSURE PROPER OPERATION BY ACTUATING TOOL SEVERAL TIMES WITHOUT FASTENERS OVER THE SUBFLOORING .

Dirt, dust, and other particles in the air supply can cause sluggish operation or premature wear of many components of the tool. Drain water from the compressor tank regularly. The compressor start-stop limits should be set to deliver an air pressure of at least 100 psi (7 bar) at all time. Consult the compressor manual or dealer for instructions on how to make this adjustment.

At 80 psi (5.5 bar) and 100 hits per minute, the tool consumes approximately 4.5 cu.ft (125 ℓ) of air per minute at 70°F (21°C). Higher air pressure will increase the consumption of compressed air.

The tool is designed to be operated with a compressed air pressure of 80 psi (5.5 bar). Occasionally, a higher pressure could be necessary, for example to use the tool with different species of harder wood. Always use the tools at minimum operating pressure in order to avoid unnecessary high noise level. In these more difficult cases, the compressed air pressure can be increased up to 110 psi (7.6 bar). It is very important not to exceed this maximum pressure to prevent leaks and risk of damage to the tool.

Check the compressed air supply hose before connecting to ensure that they are free from dirt or particles that can alter the performance of the tool. Pay special attention to any air leaks. Do not use a compressed air pressure higher than 110 psi (7.6 bar). Higher pressure can cause premature wear or damage to certain components. After assembly, check all the connections to prevent the leaks and to have maximum efficiency.



TO PREVENT ACCIDENTAL DAMAGE TO THE FINISHED SURFACE OF THE INSTALLED FLOOR, REST THE TOOL ONTO THE SUBFLOORING WHEN CONNECTING AIR, LOADING TOOL OR PERFORMING ANY MAINTENANCE TO THE TOOL.

LOADING THE TOOL

For P240 nailer: insert a row of PRIMATECH's cleats inside the feeder channel and pull back on the plastic tab gently until it engages behind the cleats. To release, simply squeeze the tab with your thumb and index and allow the spring to recoil slowly. The clip must be released slowly to prevent damage. For MAXIMUM PERFORMANCE, always use PRIMATECH cleats. The PRIMATECH model P240 comes standard with the P-148 feeder channel to accommodate 1½" (38 mm), 1¾" (44 mm) or 2" (50 mm) L-type cleats.

For the P260 stapler: pull back the pusher completely in the rear position and apply downward pressure to engage it into the locking position. Drop strips of staples through the slot in top of magazine. While pulling back and applying upward pressure, release the pusher from its locking position. Then, gently allow it to move forward to engage the staples into the magazine. The slide must be

released slowly to prevent damage. For maximum performance, always use Primatech staples.

Always operate the tool with fasteners in feeder channel. Damage may occur if the tool is operated without fasteners.



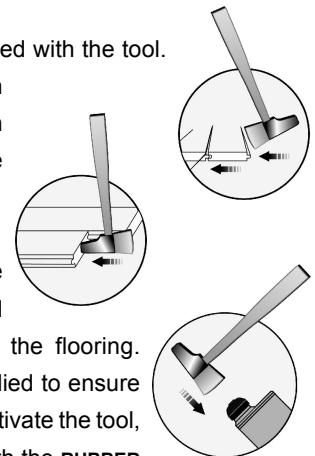
USE ONLY THE TYPE OF FASTENERS IDENTIFIED ON THE FEEDER CHANNEL. THE USE OF ANY OTHER TYPE OF FASTENERS WILL DAMAGE THE TOOL.

OPERATION

Place the tool onto the subflooring, unload tool and connect the hose. After loading the tool with PRIMATECH fasteners, the PNEUMATIC TOOL model P240/P260 is ready for use.

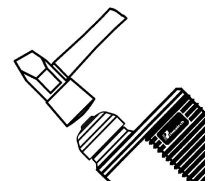
A 2.5 lbs (1.1 kg) hammer is supplied with the tool.

Use the rubber face to help position the boards. Use the steel with caution to prevent damage to the boards.



Press the flooring firmly in place. The lip of the plastic base P-433 should rest snugly against the tongue of the flooring. Downward pressure should be applied to ensure proper seating of the fastener. To activate the tool, strike lightly the head cap P-601 with the RUBBER FACE of the 2.5 lbs (1.1 kg) hammer supplied with the tool. **Never strike the tool with the metal end of the hammer.** If wood is slightly twisted, hitting the tool with more force will assist in pulling the board up snugly. **NEVER** strike the head cap when the tool is not sitting on the working surface.

USE ONLY THE RUBBER FACE OF THE HAMMER. USING THE STEEL END WILL DAMAGE THE TOOL AND VOID THE WARRANTY.



AVOID OPERATING THE TOOL WHEN THE SAFETY CONTACT IS NOT FULLY DEPRESSED. THIS WILL CAUSE PREMATURE WEAR OR DAMAGE TO THE DRIVING BLADE, PISTON AND CYLINDER.

Eye protection is recommended and should be worn by the operator and other in working area. Accidental ejection of fasteners or wood debris could cause severe eye injury.



In some environments, ear protection might be required, as working condition may include exposure to high noise levels which lead to hearing damage.



Wearing safety boots and safety hat is also highly recommended.

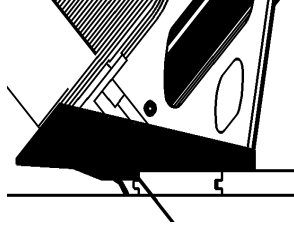


NOTE: All the personal protection equipments must meet national standards.

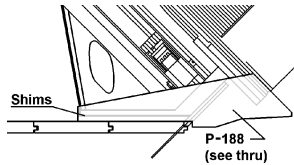


ADJUSTING FOR HARDWOOD THICKNESS

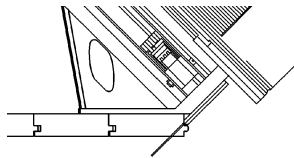
To fasten 3/4" or 25/32" flooring, no adjustment to the tool is required. Use the standard P-433 plastic base supplied with the tool.



To fasten 1/2" flooring, install optional adapter kit P-188. If necessary, use one or two shims (supplied) to insure that the gate/foot do not sit on the tongue. Insert shims between main body and plastic base as shown.



To fasten 33/32" flooring, remove plastic base as shown. You may apply the optional self-adhesive base P-986 to protect the finished surface of the flooring.



BEFORE STARTING AN INSTALLATION, FASTEN DOWN FEW BOARDS TO ASCERTAIN THAT YOU ARE USING THE RIGHT TOOL AND FASTENER.

PREVENTIVE MAINTENANCE

This tool requires minimal lubrication. Use only detergent-free oil such as Primatch P-090. Few drops of oil weekly in the air inlet is sufficient. Other types of lubricant may degrade the seals.



Check periodically to make sure that all screws are tight. Pay particular attention to the two screws holding the feeder channel as well as the screws and nuts on the feeder channel assembly who might loosen up over time. Be careful not to strip the threads when

tightening. The use of a medium strength adhesive sealant such as the Loctite 242 is recommended for those screws and nuts.

MAINTENANCE & REPAIR

Disassembly of the tool must be done in a clean environment. Some parts can be easily damaged if disassembled with improper tools or by inadequate methods. Maintenance should only be performed by trained personnel. Use only genuine PRIMATECH replacement parts.



TO PREVENT INJURY, ALWAYS DISCONNECT THE AIR SUPPLY HOSE WHEN SERVICING OR DISASSEMBLING THE TOOL.

When assembling the tool, make sure that all hex cap screws P-005 holding the casing on the base are tight. Inspect these screws regularly. Do not use any substitute to gasket P-107.

When servicing the tool, do not twist or force any parts. Damage may result from such abuse. If parts do not come loose easily, contact your PRIMATECH distributor for more information.

When opening the tool for maintenance, always clean all components of dirt, grit, or particles. Inspect the tool carefully for broken parts or excessive wear, and replace if necessary. When ordering parts, be sure to specify the right part number, and also the tool serial number.



AFTER ANY MAINTENANCE TO THE TOOL, REMOVE ALL FASTENERS BEFORE CONNECTING AIR AND ACTUATE THE TOOL REPEATEDLY OVER A PIECE OF WOOD OR SUBFLOORING TO INSURE PROPER OPERATION.

CLEANING THE VALVE

Dirt, dust or other particles, or even water in the tool may impede the cycling of the valve assembly. To clean the head and valve assembly, remove the six (6) screws P-015 and take the head assembly off the tool. Pull out the main valve assembly P-543.

To take the actuator P-642 and its cap P-644 apart, rest the assembly onto a flat surface, insert the long arm of an Allen wrench through the top hole of the actuator and gently tap on it to unclick both parts.

It is generally not necessary to remove the head cap P-601. Check all seals and replace if necessary. Clean the interior and lightly lubricate with non-detergent oil P-090. Other types of lubricant may degrade the seals. If care is taken, the gasket P-107 should require only infrequent replacement.

ASSEMBLING THE VALVE

This tool features a redesigned valve assembly. All its components can be assembled together without the need of a screw or any tool; simply with a snap-in action. The whole assembly can now be simply pulled-out of the head, making maintenance easier.

- First, make sure that all components have all their seals installed and in proper condition.
- Insert the actuator P-642 into the main valve P-543 and snap the actuator cap P-644 into the actuator. The actuator assembly should slide smoothly.
- Make sure the head P-506 is clean and lightly lubricated and insert this assembly into it.
- Ensure that the disk P-601A is completely snapped into the head cap P-601. Snap head cap onto the head P-506. It is usually not necessary to remove head cap P-601 for maintenance.



AFTER REASSEMBLY, ALWAYS ACTUATE THE TOOL A FEW TIMES WITHOUT FASTENERS AGAINST A PIECE OF WOOD TO INSURE PROPER OPERATION.

REPLACING THE DRIVING BLADE

1. Remove the plastic base P-433 by removing the (4) screws and washers P-034.
2. Remove the four hex cap screws P-005 holding the casing to the base P-235 and remove it.
3. Remove the reinforcement plate P-226.
4. Pull out the bumper P-125; remove any debris from bumper and re-use.
5. Pull out the main piston (P-522 or P-622).
6. Remove any debris and dispose of the broken driving blade and screw. At this time assess condition of cylinder P-518. If marked or gouged, use a rat-tail file to smooth out walls. The main piston must be allowed to move without restriction.
7. The tool can be fitted with one of two different mounts for the driving blade. The *screw-mount* driving blade P-223 (P240) or P-037 (P260) uses a screw to secure the driving blade onto the piston P-522. The *screw-in* mount driving blade P-323 (P240) or P-137 (P260) is threaded at one end to engage the piston P-622 directly. Order the same type of driving blade your tool is fitted with.
8. Lock the piston in a vise, using a rag to prevent scoring. Follow carefully the instructions supplied with the new driving blade.
9. Reverse the order of instructions to reassemble.

TROUBLESHOOTING

This section will help to diagnose problems that might alter the quality of work done by the operator, or the tool, and will give

suggestions on how to solve them. Follow the order of these instructions.



TO PREVENT INJURY, ALWAYS DISCONNECT THE AIR SUPPLY HOSE WHEN ADJUSTING, SERVICING OR DISASSEMBLING THE TOOL.

(1) FIRST: CHECK THE COMPRESSED AIR SUPPLY

Many of problems come from a faulty or inadequate compressed air supply system. Before attempting to repair the tool, the following points should be checked:

- a) check the pressure at the output of the compressor; adjust to 80-110 psi (5.5-7.6 bar) as required
- b) check the tank pressure of the compressor & adjust the start/stop limits
- c) check the air delivery system, use a hose of at least 3/8"
- d) use fewer tools simultaneously; do not exceed the capacity of the compressor or of the delivery system
- e) drain water from the compressor

(2) SECOND: CHECK FOR AIR LEAKS

At rest, this tool should not have any air leak. Before attempting to repair the tool and replace parts, check the following:

- a) Tighten screws P-015 or replace gasket P-107
- b) Check rectangular rings P-009 & P-543A; replace if necessary
- c) Check seal P-543D; replace if necessary; the top edge of main cylinder P-518 should be free of dents.
- d) Check seal P-516B
- e) Clean & lubricate the head assembly; re-assemble the head assembly carefully
- f) Check interior of head P-506 for scratches
- g) Check ring P-516B; replace if necessary

(3) TOOL DOES NOT DRIVE FASTENERS

- a) Check that there are fasteners in the feeder channel
- b) Make sure the feeder clip is engaged behind the fasteners
- c) Check the front end of the feeder channel for burrs or damages
- d) Check the safety element
- e) Check if the driver is stuck in down position (see 6 below)
- f) Check for obstruction in the fastener ejection area

(4) FASTENERS ARE NOT SET COMPLETELY

- a) First, verify air supply (see 1 above)
- b) Clean tool and lubricate tool; particularly the head assembly
- c) Increase air pressure when working with harder woods; never exceed 110 psi (7.6 bar)
- d) Check the driving blade for broken end
- e) Ensure the tool is well seated on the floor while ejecting

(5) TOOL DOES NOT ACTIVATE

- a) Check the air supply
- b) Inspect the head assembly and check all seals; reassemble carefully

(6) DRIVING BLADE DOES NOT RETURN

- a) Check for jammed fastener or obstruction
- b) Check gate/foot and end of feeder channel for damages or burrs.
- c) Check for broken or bent driving blade
- d) Inspect the head assembly and check all seals; clean & lubricate
- e) Check for damaged or missing O-ring P-014
- f) Tighten reinforcement plate
- g) Check that the bumper is in place.

(7) BROKEN OR WORN DRIVING BLADE

Replace the driving blade. Failure to follow the instructions carefully will result in repeated breakage of the driving blade.

(8) POOR FEED OR TOOL JAMMING

- a) Make sure the feeder clip engages behind the fasteners
- b) Check the gate and foot for damages or wear
- c) Check the front end of the feeder channel for burrs or damages

(9) OTHER PROBLEMS

Contact Primatech:

by phone 1 (800) 363-1962
1 (418) 522-7744

by email support@primatech.ca

consult our on-line Technical Support site at

<http://www.primatech.ca/support>

TOOL WARRANTY AND LIMITATIONS

Primatech warrants that newly purchased fastening tools, parts and accessories will be free from defects in material and workmanship (excluding wear parts) for the period shown below, after the date of purchase by the original user as evidenced by a valuable purchase invoice.

ONE-YEAR LIMITED WARRANTY will apply to all parts, except those subjected to normal wear

SEVEN-YEAR EXTENDED LIMITED WARRANTY covers tool casing.

WARRANTY STATEMENT

Primatech 's sole liability hereunder will be to replace any part or accessory which proves to be defective within the specific time period. Any replacement part or accessories provided in accordance with this warranty will carry a warranty for the balance of the period of warranty applicable to the part it replaces. When repair or replacement of part or tool is required, the complete tool or part(s) must be returned to Primatech or at such authorized warranty service point of Primatech, transportation prepaid, with a copy of proof of purchase evidencing that the part or tool is within the warranty period.

This warranty is void as to any tool which has been subjected to misuse, abuse, accidental or intentional damage, used with fasteners not meeting Primatech specifications, size or quality, improperly maintained, repaired with other than genuine Primatech replacement parts, damaged in transit or handling, or which, in Primatech 's sole opinion, has been altered, modified or repaired in a way that affects or detracts from the performance of the tool.

PRIMATECH MAKES NO WARRANTY, EXPRESSED OR IMPLIED, RELATING TO MERCHANTABILITY, FITNESS, OR OTHERWISE, EXCEPT AS STATED ABOVE, and Primatech's liability AS STATED ABOVE AND AS ASSUMED ABOVE is in lieu of all other warranties arising out of, or in connection with, the use and performance of the tool, except to the extent otherwise provided for by applicable law.

PRIMATECH SHALL IN NO EVENT BE LIABLE FOR ANY DIRECT, INDIRECT, OR CONSEQUENTIAL DAMAGES WHICH MAY ARISE FROM LOSS OF ANTICIPATED PROFITS OR PRODUCTION, SPOILAGE OF MATERIALS, INCREASED COST OF OPERATION, OR OTHERWISE. Any liability, if any, connected with the use of the tool shall terminate upon the expiration of the warranty period specified above.